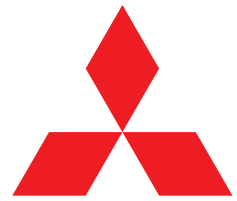


# FV 6x4 SERIES

**FV54J**  
302kW

with AIR SUSPENSION



**FUSO**

**MODEL**  
FV54JL4RFAA mwb

**W/Base**  
4550mm

**GVM**  
24000kg

**GCM**  
58000kg

## ENGINE

**Mitsubishi 6M70-1AT4 Diesel (ADR80/00)**  
Configuration: 6 Cyl. In-line OHC, 4 Valve  
Type: Turbocharged with Air to Air Intercooler and Common Rail Fuel System

Displacement: 12882cc  
Bore: 135mm  
Stroke: 150mm  
Power (ECE R85-00): 302kW @ 2200 rpm  
Torque (ECE R85-00): 1765Nm @ 1200 rpm  
Maximum Engine Speed: 2300 rpm  
Compression Ratio: 17.5:1  
Oil Cooler: Plate Type, Water Cooled

## FUEL

Injection System: BOSCH Common Rail System  
Governor: Electronic, Speed Limited to 100 km/h  
Controls: Key Operated Start/Fuel Engine Idle Emergency Stop

**Cruise Control** (range 40-100 km/h)

Filtration: Main Filter and Water Separator  
Tank Type: Rectangular Aluminium  
Fuel Capacity: 400 Litres  
Air Cleaner: Dual Element Dry Paper Type with Vertical Intake and Air Restriction Indicator

## COOLING

Fan: 720mm dia. 10 Blades  
Fan Drive: Thermo Modulated  
Radiator: Corrugated Fin with Expansion Tank

## ELECTRICAL

Voltage: 24V Negative Earth  
Alternator Capacity: 24V-50 amp  
Starter Capacity: 24V-5.5kW  
Battery Capacity: 2x12V, 150Ah/20hr  
Headlamp - Type: Rectangular Quartz Halogen  
- Capacity: Low Beam 2x70W High Beam 2x75W, 2x70W

## CLUTCH

**Mitsubishi C14W40T**  
Disc Diameter: 400mm  
Type: Twin Dry Plate  
Operation: Air Assisted Hydraulic  
Facing - Area: Asbestos Free - 3064cm<sup>2</sup>

## TRANSMISSION

**Fuller RTLO-16918B**  
No. of Speeds: 18  
Brake Type: Countershaft  
Oil Cooler: Oil to Air

Gear - Range	Low		High	
	Low	High	Low	High
Ratios - Low:	14.40	12.29		
- 1st:	8.56	7.30	2.29	1.95
- 2nd:	6.05	5.16	1.62	1.38
- 3rd:	4.38	3.74	1.17	1.00
- 4th:	3.20	2.73	0.86	0.73
- Rev.	15.06	12.85	4.03	3.43

PTO Opening: Lower Transmission

## PROPELLER SHAFT

Type: P151/P12  
Universal Joint: Needle Roller

## FRONT AXLE

**Mitsubishi F090T**  
Type: Reverse Elliot '1' Beam  
Capacity - Axle: 6500kg  
Max. Load Rating at Ground: 6000kg (std tyres)  
6500 kg (295/80R22.5 ref. tyre placard)

## REAR AXLE

**Mitsubishi R10TT/10T, D10HT/10H**  
Type: Full Floating Hypoid, Tandem Drive with Inter-Axle Diff Lock and LSD to Both Axles  
Capacity - Axle: 21600kg  
Max. Load Rating at Ground: 18000kg  
Ratio: 5.142:1

## STEERING

Type: Integral Power Assisted Ball and Nut  
Ratio: 22.4:1  
Steering Wheel: 480mm Urethane  
Steering Column: Tilt/Telescopic Adjustable with Lock

## BRAKES

Type: Full Air, Dual Circuit, Mitsubishi Taper Roller with Automatic Brake Adjustment  
Size - Front: 410x150mm  
- Rear: 410x200mm  
Lining - Area/Swept: Asbestos Free - 9144/14174cm<sup>2</sup>  
Park Brake: Rear Wheel Spring Actuated  
Auxiliary: 'Powertard' Engine Brake  
Trailer: Hand Control Valve, Air Lines and Electrical Cord  
Compressor: Water Cooled, 340cc Single Cyl.  
Air Dryer Model: DR2

## FRONT SUSPENSION

Type: Long Taper Leaf  
Size: 1500x90x23mm-3 Leaves  
Capacity at Ground: 3300kg ea.  
Shock Absorbers: Double Acting

## REAR SUSPENSION (Air)

Type: Trailing Arm with Air Dump Control  
RFCN: RF2011  
Air Spring: 2x250mm dia. per Axle  
Trailing Arm: (615+380)x80x35mm-2 Leaves  
Capacity at Ground: 18000kg total  
Shock Absorbers: Double Acting

## CHASSIS

Type: Reinforced Parallel Channel  
Size: 300x90x7.0mm  
Width: 840mm  
Tensile Strength: 55kg/mm<sup>2</sup>

## WHEELS & TYRES

Wheel - Type: 11, Single Piece Disc  
- Size: 22.5x8.25DC-165-12t  
- Stud Pattern: 10x335mm PCD  
Tyre - Size: 11R22.5 148/145L  
Traction Tread to Rear  
Spare Tyre Carrier: Provided

## MASS (kg - estimated)

Model	Front	Rear	Total
FV54JL4RFAA	4015	3330	7345

Note: Mass (est.) includes oil and water but excludes spare wheel, tools and fuel.

## CAB FEATURES

### All Steel Forward Control

Type:	Elec/Hyd. Tilt 50 deg.
Mounting:	Coil Suspension, 4 Point
Colour:	Natural White
Interior:	Fully Trimmed
Windscreens:	Laminated Tinted
Windscreens Wipers:	2 Speed - Intermittent Cycle
Rear Vision Mirrors:	RH. Heated LH. Remote/Heated with Convex Spotter
Seating Capacity:	3
Seat Belts:	2 ELR Lap Sash, 1 Lap
Seats	<u>Driver:</u> - Air Suspension with Auto Levelling Height Control - 32 Stage Reclining - 15 Stage Sliding - Front and Rear Height Adjuster - Lumbar Support - Headrest and Fabric Trim <u>LH:</u> - 2 Passenger Bench Type - LH Headrest and Fabric Trim

## INSTRUMENTS

### Gauges:

- Speedometer with Odometer and Tripmeter
- Tachometer
- Air Pressure (2)
- Fuel Level
- Water Temperature
- Digital Clock

### Warning Lamps:

- Turn Signal
- High Beam
- Engine Brake
- Park Brake
- Trailer Brake
- Alternator
- Oil Filter Blockage
- Engine/Cruise Control (ECU)
- Air Filter Restriction
- Door

### Warning Lamp/Buzzer:

- Air Pressure/Brake Dual Circuit
- Oil Pressure
- Engine Overheat/Low Coolant Level
- Engine Overrun
- Cab Tilt
- Air Rear Suspension

## STANDARD EQUIPMENT

- Electric Windows and Central Locking
- Door Side Impact Beams
- Tinted Side and Rear Glass
- Auto 'Climate Contol' Air Conditioner
- AM/FM ETR Radio with Cassette and CD Player
- Centre Storage Console
- LH Seat Storage Tray
- LH/RH Overhead Storage Pocket with Lid
- Cup Holder
- Opening Rear Quarter Windows
- Interior Sun Visors
- Fluorescent Cabin Lamp with Dash Control
- Windscreens Washers
- Hazard Warning Lamps
- Front End-Outline Marker Lamps
- QH Fog Lamps
- Cigar Lighter
- Roof Mounting Points (max. static load 50kg)
- Dual Air Horns
- Reverse Warning Buzzer
- Wheel Changing Tools
- Vertical Exhaust Outlet
- Stainless Steel Mufflershield
- Chrome Exhaust Tailpipe

## DIMENSIONS (mm)

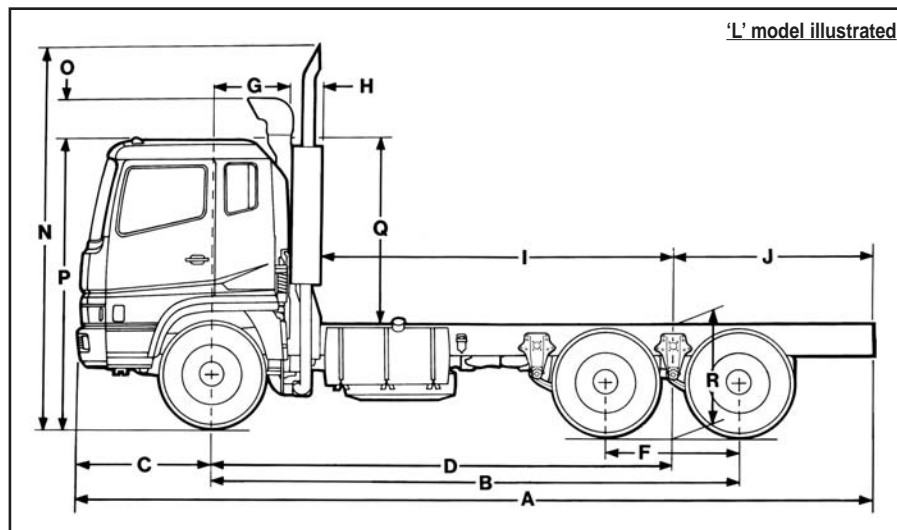
		<b>FV54JL</b>
		<b>4RFAA</b>
Width	Front Fender:	2490
	Rear Axle:	2460
	Front Track:	2045
	Rear Track:	1845
	Frame:	840
Length	A Overall:	7890
	B Extreme Axle Spacing:	5210
	C Front Overhang:	1370
	D Wheelbase:	4550
	F Rear Axle Spacing:	1320
	G Front Axle to Rear of Cab:	770
	H Rear of Cab to Vertical Exhaust:	292
	I Frame, Exhaust to Rear Axle:	3488
	J Frame, Rear Axle to End:	1970
Height	N Overall:	3750
	O Air Intake to Cab Roof:	360
	P Cab to Ground:	2905
	Q Cab to Frame:	1900
	R Rear Frame to Ground, Suspension - Inflated:	1033
	- Deflated:	976
	Ground Clearance:	250

## PERFORMANCE (Calculated - Paved Road)

Electronically Speed Limited to (km/h):	*100
Gradeability at Rated GVM:	#
Gradeability at Rated GCM:	43.3%
Turning Circle (kerb to kerb):	15.4m

\*Conforms to ADR 65/..

#Exceeds Traction



Note: Chassis reinforcement must be utilised for Tipper/Demountable type body configurations.

To conform with ADR 13/.. (lighting requirements) the following must be adhered to at body installation.

- Reflective rear marker plates must be installed.
- If other than a flat type or tipper body is fitted, rear end out-line marker lamps must be installed.
- If overall length exceeds 6.0 metres, side reflectors must be installed.
- If overall length exceeds 7.5 metres, side marker lamps must be installed.